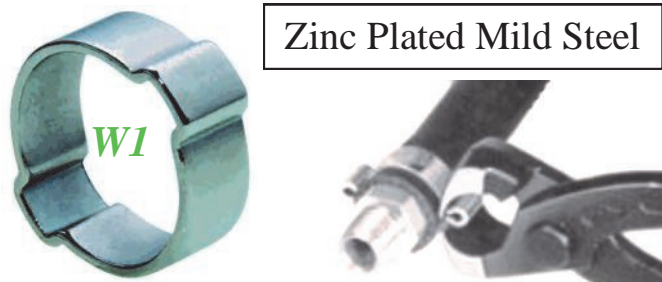


Two Ear Clips (Category 50)

The use of Two-ear clips is an economical solution for many simple hose assemblies, used with air or other fluids. The two ears give the clip extra grip and help to maintain constant pressure around the hose. Fitting is more flexible and exact. The practical design of Two-ear clips means that they clamp firmly on to the assembly and are tamper-proof once mounted. The edges are rounded to avoid damage to the hose. Two-ear clips offer great versatility in simple hose assemblies.



Code	Range	A	B	C	D	E
50-E2-0507	5-7 mm	7.3	4.3	6	11	0.6
50-E2-0709	7-9 mm	9.3	4.8	6	14	0.8
50-E2-0911	9-11 mm	11	5.3	6.5	17	0.8
50-E2-1113	11-13 mm	13	5.8	6.5	19	0.9
50-E2-1315	13-15 mm	15	6.3	7	22	1
50-E2-1417	14-17 mm	18	6.6	7	24	1.2
50-E2-1518	15-18 mm	19	7	7.5	25	1.2
50-E2-1720	17-20 mm	21	7.6	7.5	27	1.2
50-E2-2023	20-23 mm	24	8.5	8	31	1.3
50-E2-2225	22-25 mm	26	9.1	8.5	33	1.4
50-E2-2327	23-27 mm	28	9.4	8.5	35	1.4
50-E2-2528	25-28 mm	29	10	9	36	1.4
50-E2-2831	28-31 mm	32	11	9	39	1.4
50-E2-3134	31-34 mm	35	11	9.5	42	1.4
50-E2-3437	34-37 mm	38	12	9.5	46	1.6
50-E2-3740	37-40 mm	41	12	10	49	1.6
50-E2-4043	40-43 mm	44	13	10	53	1.6
50-E2-4346	43-46 mm	47	13	10.5	56	1.6

Code	Range	A	B	C	D	E
50-ES2-0507	5-7 mm	7.3	4.3	6.0	11.5	0.6
50-ES2-0709	7-9 mm	9.3	4.8	6.0	14.5	0.8
50-ES2-0911	9-11 mm	11.3	5.3	6.5	16.5	0.8
50-ES2-1113	11-13 mm	13.3	5.8	6.5	19.0	0.8
50-ES2-1315	13-15 mm	15.3	6.3	7.0	21.5	1.0
50-ES2-1518	15-18 mm	18.5	7.0	7.5	25.0	1.0
50-ES2-1720	17-20 mm	20.5	7.6	7.5	27.0	1.0
50-ES2-2023	20-23 mm	23.5	8.5	8.0	30.5	1.0
50-ES2-2327	23-27 mm	27.5	9.4	8.5	35.0	1.4
50-ES2-2528	25-28 mm	28.5	10.0	9.0	36.0	1.4
50-ES2-2831	28-31 mm	31.5	10.6	9.0	39.0	1.4

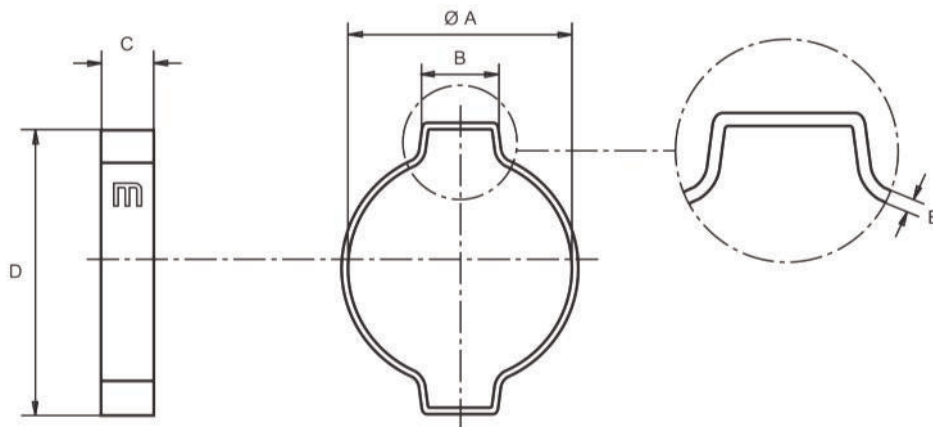
Due to the AISI-304 steel used in the manufacturer of these clips, their corrosion resistance is outstanding. They are recommended especially in outdoor applications.

Steel Materials

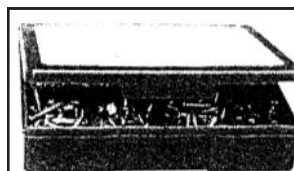
Band:
St 34 steel (DIN 2393C)
Finish:
Silver-white Cr3 Zinc Plated

Stainless Materials

Band:
AISI-304 Stainless steel (A2)
Finish:
100% Stainless Steel



Code: 50-ECP1099
Ear Clamp Pincers
Side & Top Join



Assortment Kits also available.
Contact the sales staff for further information.

Mini Clamps (Category 50)



W1

MIKALOR

**Zinc Plated
Mild Steel
Mini Clip W1**

Some sizes still available in Stainless Steel

The use of malleable mild steel in the manufacture of the mini clip means that when tightened, the clip adapts perfectly to the hose, clamping firmly but gently. This clip is recommended for use with gaseous fluids at low pressure. Mini Clip also has many applications in the automotive industry.

The maximum pressure may vary depending on the type of hose and coupling used

Code	Range	r	e	a	b	s	Max Torque	Max Pressure
50-M06	6 mm	M3	5	8.4	9	0.5	0.4 Nm	15.0 Bar
50-M08	8 mm	M3	5	9.0	9	0.5	0.4 Nm	14.0 Bar
50-M09	9 mm	M4	6	10.0	10	0.5	1 Nm	15.0 Bar
50-M10	9.5-10 mm	M4	6	10.0	10	0.5	1 Nm	14.0 Bar
50-M11	10-11 mm	M4	6	10.0	10	0.5	1 Nm	13.0 Bar
50-M12	11-12 mm	M4	6	10.0	10	0.5	1 Nm	12.5 Bar
50-M13	12-13 mm	M4	6	10.0	10	0.5	1 Nm	12.5 Bar
50-M14	13-14 mm	M4	6	10.0	10	0.5	1 Nm	12.5 Bar
50-M15	14-15 mm	M4	6	10.0	10	0.5	1 Nm	12.0 Bar
50-M17	15-17 mm	M4	6	10.0	10	0.5	1 Nm	12.0 Bar

Some larger sizes also available

W1 Materials

Screw:

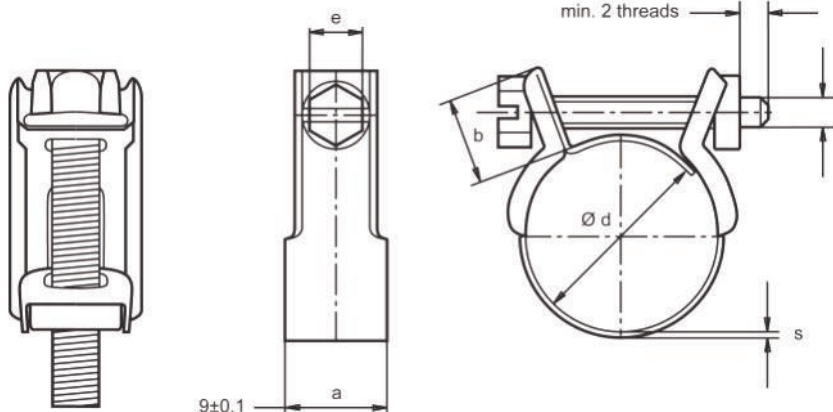
6.6 strength Grey-white Cr3 zinc plated

Nut:

6 strength White Cr3 zinc plated

Band:

St 02Z (DIN 1.0226)



Cobra Style Clamps (Category 50)

MIKALOR

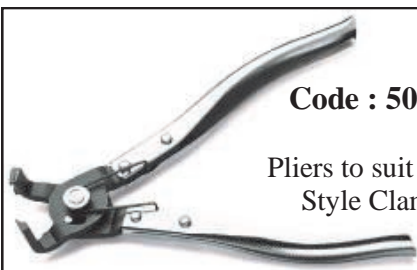
**W4 Full
Stainless Steel**

Code	Range	Bandwidth
50-C075	8.0-9.0 mm	7 mm
50-C08	8.5-9.5 mm	7 mm
50-C085	9.0-10.0 mm	7 mm
50-C09	9.5-10.5 mm	7 mm
50-C10	10.5-11.5 mm	7 mm
50-C11	11.5-12.5 mm	7 mm
50-C115	12.0-13.5 mm	8 mm
50-C12	12.5-14.0 mm	8 mm
50-C13	13.5-15.0 mm	8 mm
50-C14	14.5-16.0 mm	8 mm
50-C15	15.5-17.0 mm	8 mm
50-C16	16.5-18.0 mm	8 mm
50-C17	17.5-19.0 mm	8 mm
50-C18	18.5-20.0 mm	8 mm
50-C19	19.5-21.0 mm	8 mm
50-C20	20.5-22.0 mm	8 mm
50-C21	21.5-23.0 mm	8 mm
50-C22	22.5-24.0 mm	8 mm
50-C23	23.5-25.0 mm	8 mm
50-C24	24.5-26.0 mm	8 mm



W4

The design of the locking device of the Cobra Style Clamp allows for great precision when mounting. This device, together with the folds in the material confers a spring function to this clamp, meaning that it can maintain constant pressure around the hose. The rounded band edges avoid damage to the hose. This clamp is especially suited for use in assembly lines and industrial applications due to the ease with which it can be mounted and the AISI 304 material employed in its manufacture.



Code : 50-CP

Pliers to suit Cobra Style Clamps

W4 Materials

Band:

AISI 304 (A2)
Stainless Spring Steel

Worm Drive Clamps (Category 50)



W2L

MIKALOR

**ASFA-L W2 Clamps
9mm Band Width
Stainless Band
Steel Screw**

Thanks to the exclusive design of the housing, the ASFA-L W2 hose clip has excellent performance while being at the same time very compact. The cold formed stamped band thread, smoothed on the underside, combined with bevelled band-edges protects the hose from damage. The AISI-430 Stainless steel finish of the band and housing make this a very attractive clip.

The ASFA-L W2 hose clip complies fully with the DIN 3017 norm and also with the RoH's directive EU 20032/95/EC dated 1st July 2006.

This clip is very popular in the hardware and domestic markets and in automotive applications.

*The maximum application pressure can vary depending on the type of hose used and the geometry of the coupling.

Code	Range	s + 0.1	a + 0.3 -0.02	b	Max Torque	Max Pressure
50-W209-012	8-12 mm	0.6	7.5	11.5	1.5 Nm	40 Bar
50-W209-016	8-16 mm	0.6	9	14	3.0 Nm	45 Bar
50-W209-022	12-22 mm	0.6	9	14	3.0 Nm	45 Bar
50-W209-027	16-27 mm	0.7	9	14	3.5 Nm	42 Bar
50-W209-032	20-32 mm	0.7	9	14	3.5 Nm	36 Bar
50-W209-040	25-40 mm	0.7	9	14	4.0 Nm	32 Bar
50-W209-045	30-45 mm	0.7	9	14	4.0 Nm	28 Bar
50-W209-050	32-50 mm	0.7	9	14	4.0 Nm	24 Bar
50-W209-060	40-60 mm	0.7	9	14	4.0 Nm	19 Bar
50-W209-070	50-70 mm	0.7	9	14	4.0 Nm	17 Bar
50-W209-080	60-80 mm	0.7	9	14	4.0 Nm	15 Bar
50-W209-090	70-90 mm	0.7	9	14	4.0 Nm	13 Bar
50-W209-100	80-100 mm	0.7	9	14	4.0 Nm	11 Bar
50-W209-110	90-110 mm	0.7	9	14	4.0 Nm	10 Bar
50-W209-120	100-120 mm	0.7	9	14	4.0 Nm	9 Bar
50-W209-130	110-130 mm	0.7	9	14	4.0 Nm	8 Bar
50-W209-140	120-140 mm	0.7	9	14	4.0 Nm	7 Bar
50-W209-150	130-150 mm	0.7	9	14	4.0 Nm	6 Bar
50-W209-160	140-160 mm	0.7	9	14	4.0 Nm	5 Bar

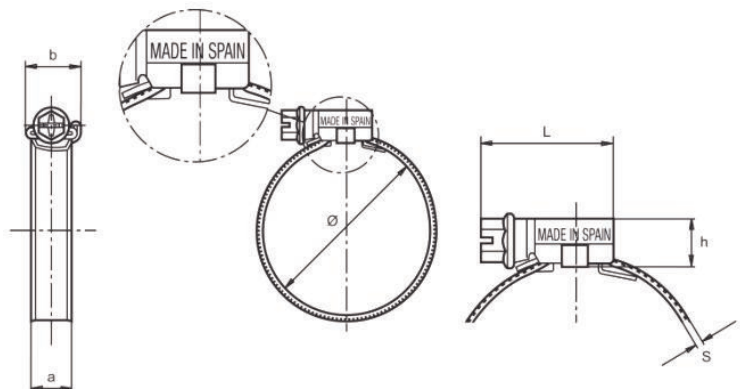
W2 Materials

Screw:

Qst 36-3 Mild steel
(DIN 1.0213)
Silver-white Cr3 Zinc Plated

Band and Housing:

X6Cr17 Stainless steel
(DIN 1.4016) (AISI-430)



Flexdrivers for Worm Drive Clamps

Code	Screw	Length
50-FD7	7mm	27cm
50-FD7L	7mm	60cm
50-FD6/8	6,8 mm	27cm



Worm Drive Clamps (Category 50)

**W2S**

MIKALOR

ASFA-S W2 Clamps
12mm Band Width
Stainless Band
Steel Screw

*The maximum application pressure can vary depending on the type of hose used and the geometry of the coupling.

The ASFA-S W2 hose clip combines an innovative housing and a sturdy 12mm band which together make this a high performance hose clip. The cold-formed stamped band thread, smoothed on the underside, combined with beveled band edges protects the hose from any damage. The AISI-430 Stainless steel finish of the band and housing make this a very attractive clip.

The ASFA-S W2 hose clip complies fully with the DIN 3017 norm and also with the RoH's directive EU 20032/95/EC dated 1st July 2006.

This clip is ideally for use in automotive applications, in agriculture and in fluid transfer applications.

Code	Range	s + 0.1	a + 0.3 -0.02	b	Max Torque	Max Pressure
50-W212-027	16-27 mm	0.8	12.2	18	4.2 Nm	45 Bar
50-W212-032	20-32 mm	0.8	12.2	18	5.2 Nm	45 Bar
50-W212-040	25-40 mm	0.8	12.2	18	5.2 Nm	40 Bar
50-W212-045	30-45 mm	0.8	12.2	18	5.2 Nm	35 Bar
50-W212-050	32-50 mm	0.8	12.2	18	6.0 Nm	35 Bar
50-W212-060	40-60 mm	0.8	12.2	18	6.0 Nm	30 Bar
50-W212-070	50-70 mm	0.8	12.2	18	6.8 Nm	25 Bar
50-W212-080	60-80 mm	0.8	12.2	18	6.8 Nm	20 Bar
50-W212-090	70-90 mm	0.8	12.2	18	6.8 Nm	17 Bar
50-W212-100	80-100 mm	0.8	12.2	18	6.8 Nm	14 Bar
50-W212-110	90-110 mm	0.8	12.2	18	6.8 Nm	12 Bar
50-W212-120	100-120 mm	0.8	12.2	18	6.8 Nm	10 Bar
50-W212-130	110-130 mm	0.8	12.2	18	6.8 Nm	8 Bar
50-W212-140	120-140 mm	0.8	12.2	18	6.8 Nm	7 Bar
50-W212-150	130-150 mm	0.8	12.2	18	6.8 Nm	6 Bar
50-W212-160	140-160 mm	0.8	12.2	18	6.8 Nm	5 Bar
50-W212-170	150-170 mm	0.8	12.2	18	6.8 Nm	4 Bar
50-W212-180	160-180 mm	0.8	12.2	18	6.8 Nm	3 Bar
50-W212-190	170-190 mm	0.8	12.2	18	6.8 Nm	2 Bar
50-W212-200	180-200 mm	0.8	12.2	18	6.8 Nm	2 Bar
50-W212-210	190-210 mm	0.8	12.2	18	6.8 Nm	1.8 Bar
50-W212-220	200-220 mm	0.8	12.2	18	6.8 Nm	1.8 Bar
50-W212-230	210-230 mm	0.8	12.2	18	6.8 Nm	1.6 Bar
50-W212-240	220-240 mm	0.8	12.2	18	6.8 Nm	1.6 Bar

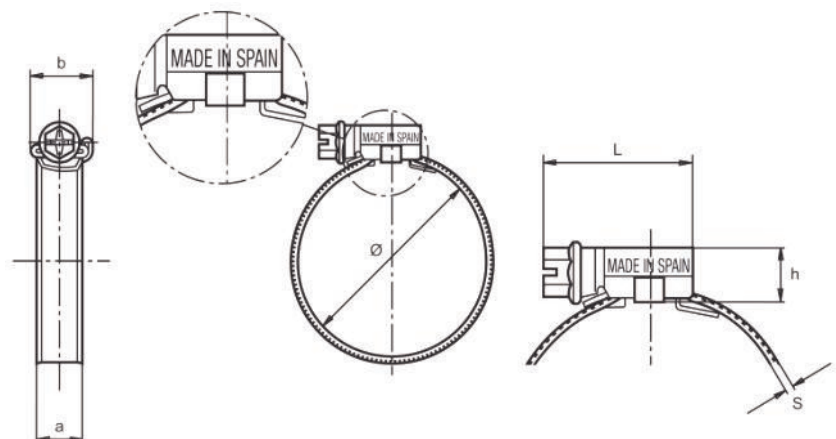
W2 Materials

Screw:

Qst 36-3 Mild steel
 (DIN 1.0213)
 Silver-white Cr3 Zinc Plated

Band and Housing:

X6Cr17 Stainless steel
 (DIN 1.4016) (AISI-430)



Worm Drive Clamps (Category 50)



**ASFA-L W4 Clamps
9mm Band Width
Full Stainless Steel**

*The maximum application pressure can vary depending on the type of hose used and the geometry of the coupling.

Thanks to the exclusive design of the housing, the ASFA-L W4 hose clip has excellent performance while being at the same time very compact. The cold formed stamped band thread, smoothed on the underside, combined with bevelled band-edges protects the hose from damage.

The ASFA-L W4 hose clip complies fully with the DIN 3017 norm and also with the RoH's directive EU 20032/95/EC dated 1st July 2006.

This clip is ideally for use in the marine industry, due to the corrosion resistance offered by the use of AISI-304 stainless steel in its manufacture.

Code	Range	s + 0.1	a + 0.3 -0.02	b	Max Torque	Max Pressure
50-W409-012	8-12 mm	0.6	7.5	11.5	1.5 Nm	40 Bar
50-W409-016	8-16 mm	0.6	9	14	3.0 Nm	45 Bar
50-W409-022	12-22 mm	0.6	9	14	3.0 Nm	45 Bar
50-W409-027	16-27 mm	0.7	9	14	3.5 Nm	42 Bar
50-W409-032	20-32 mm	0.7	9	14	3.5 Nm	36 Bar
50-W409-040	25-40 mm	0.7	9	14	4.0 Nm	32 Bar
50-W409-045	30-45 mm	0.7	9	14	4.0 Nm	28 Bar
50-W409-050	32-50 mm	0.7	9	14	4.0 Nm	24 Bar
50-W409-060	40-60 mm	0.7	9	14	4.0 Nm	19 Bar
50-W409-070	50-70 mm	0.7	9	14	4.0 Nm	17 Bar
50-W409-080	60-80 mm	0.7	9	14	4.0 Nm	15 Bar
50-W409-090	70-90 mm	0.7	9	14	4.0 Nm	13 Bar
50-W409-100	80-100 mm	0.7	9	14	4.0 Nm	11 Bar
50-W409-110	90-110 mm	0.7	9	14	4.0 Nm	10 Bar
50-W409-120	100-120 mm	0.7	9	14	4.0 Nm	9 Bar
50-W409-130	110-130 mm	0.7	9	14	4.0 Nm	8 Bar
50-W409-140	120-140 mm	0.7	9	14	4.0 Nm	7 Bar
50-W409-150	130-150 mm	0.7	9	14	4.0 Nm	6 Bar
50-W409-160	140-160 mm	0.7	9	14	4.0 Nm	5 Bar

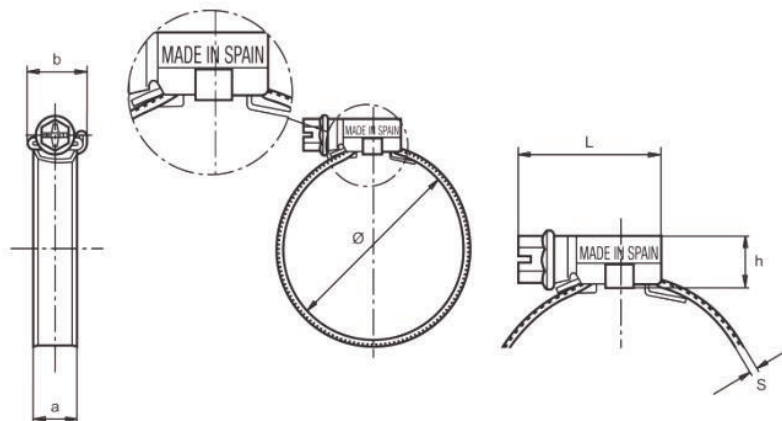
W4 Materials

Screw:

AISI-304 Cu (A2) Stainless steel.

Band and Housing:

X5CrNi1810
Stainless steel (DIN 1.4301)
(AISI-304) (A2)



Most Worm drive clamps available with a safety collar to prevent slippage of a screwdriver..

Contact the sales office for further details.

Phone (03) 9706 3133.

Email sales@ifsvic.com.au



Worm Drive Clamps (Category 50)



W4S

MIKALOR

**ASFA-S W4 Clamps
12mm Band Width
Full Stainless Steel**

The ASFA-S W4 hose clip combines an innovative housing and a sturdy 12mm band which together make this a high performance hose clip. The cold-formed stamped band thread, smoothed on the underside, combined with bevelled band-edges protects the hose from any damage.

The ASFA-S W4 hose clip complies fully with the DIN 3017 norm and also with the RoH's directive EU 20032/95/EC dated 1st July 2006.

Crafted entirely from AISI-304 stainless steel, this clip is ideally for use in marine applications or in any industrial assemblies where high levels of corrosion resistance are required.

*The maximum application pressure can vary depending on the type of hose used and the geometry of the coupling.

Code	Range	s + 0.1	a + 0.3 -0.02	b	Max Torque	Max Pressure
50-W412-027	16-27 mm	0.8	12.2	18	4.6 Nm	45 Bar
50-W412-032	20-32 mm	0.8	12.2	18	5.6 Nm	45 Bar
50-W412-035	23-35 mm	0.8	12.2	18	5.6 Nm	40 Bar
50-W412-040	25-40 mm	0.8	12.2	18	5.6 Nm	40 Bar
50-W412-045	30-45 mm	0.8	12.2	18	5.6 Nm	35 Bar
50-W412-050	32-50 mm	0.8	12.2	18	6.5 Nm	35 Bar
50-W412-060	40-60 mm	0.8	12.2	18	6.5 Nm	30 Bar
50-W412-070	50-70 mm	0.8	12.2	18	7.0 Nm	25 Bar
50-W412-080	60-80 mm	0.8	12.2	18	7.0 Nm	20 Bar
50-W412-090	70-90 mm	0.8	12.2	18	7.0 Nm	17 Bar
50-W412-100	80-100 mm	0.8	12.2	18	7.0 Nm	14 Bar
50-W412-110	90-110 mm	0.8	12.2	18	7.0 Nm	12 Bar
50-W412-120	100-120 mm	0.8	12.2	18	7.0 Nm	10 Bar
50-W412-130	110-130 mm	0.8	12.2	18	7.0 Nm	8 Bar
50-W412-140	120-140 mm	0.8	12.2	18	7.0 Nm	7 Bar
50-W412-150	130-150 mm	0.8	12.2	18	7.0 Nm	6 Bar
50-W412-160	140-160 mm	0.8	12.2	18	7.0 Nm	5 Bar
50-W412-170	150-170 mm	0.8	12.2	18	7.0 Nm	4 Bar
50-W412-180	160-180 mm	0.8	12.2	18	7.0 Nm	3 Bar
50-W412-190	170-190 mm	0.8	12.2	18	7.0 Nm	2 Bar
50-W412-200	180-200 mm	0.8	12.2	18	7.0 Nm	2 Bar
50-W412-210	190-210 mm	0.8	12.2	18	7.0 Nm	1.8 Bar
50-W412-220	200-220 mm	0.8	12.2	18	7.0 Nm	1.8 Bar
50-W412-230	210-230 mm	0.8	12.2	18	7.0 Nm	1.6 Bar
50-W412-240	220-240 mm	0.8	12.2	18	7.0 Nm	1.6 Bar

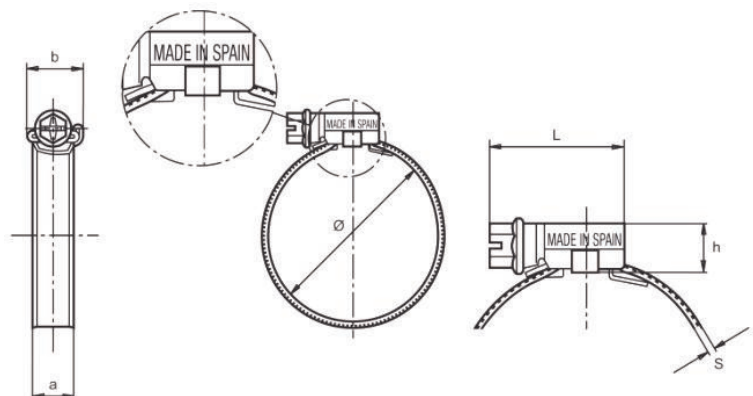
W4 Materials

Screw:

AISI-304 Cu (A2) Stainless steel.

Band and Housing:

X5CrNi1810
Stainless steel (DIN 1.4301)
(AISI-304) (A2)



Super Clamps (Category 50)



Mikalor was the first company to design and produce a heavy-duty hose clamp, and since then the Super clamp has gone from strength to strength. The high strength 8.8 grade steel nut and T-bolt mean that Super can be tightened up hard using many different kinds of tool, while the bevelled edges protect the hose from harm.

The Super clamp is in its element in agricultural applications, waste water extraction, mining, quarrying or on other sectors where a rugged yet competitively priced heavy duty clamp is required.

The maximum application pressure can vary depending on the type of hose used and the geometry of the coupling.

Code	Range	r	e	a	b	s	Max Torque	Max Pressure
50-SW1-019	17-19 mm	M5	8	18 +0.2	19.8	0.6	4.5 Nm	48 Bar
50-SW1-022	20-22 mm	M5	8	18 +0.2	19.8	0.6	4.5 Nm	48 Bar
50-SW1-025	23-25 mm	M5	8	18 +0.2	19.8	0.6	4.5 Nm	45 Bar
50-SW1-028	26-28 mm	M5	8	18 +0.2	19.8	0.6	4.5 Nm	45 Bar
50-SW1-031	29-31 mm	M6	10	20 +0.3	22.0	0.8	8 Nm	42 Bar
50-SW1-035	32-35 mm	M6	10	20 +0.3	22.0	0.8	8 Nm	42 Bar
50-SW1-037	34-37 mm	M6	10	20 +0.3	22.0	0.8	8 Nm	40 Bar
50-SW1-039	36-39 mm	M6	10	20 +0.3	22.0	0.8	8 Nm	40 Bar
50-SW1-043	40-43 mm	M6	10	20 +0.3	22.0	0.8	8 Nm	40 Bar
50-SW1-047	44-47 mm	M7	11	22 +0.2	24.5	1.2	16 Nm	44 Bar
50-SW1-051	48-51 mm	M7	11	22 +0.2	24.5	1.2	16 Nm	44 Bar
50-SW1-055	52-55 mm	M7	11	22 +0.2	24.5	1.2	16 Nm	40 Bar
50-SW1-059	56-59 mm	M7	11	22 +0.2	24.5	1.2	16 Nm	40 Bar
50-SW1-063	60-63 mm	M7	11	22 +0.2	24.5	1.2	16 Nm	36 Bar
50-SW1-067	64-67 mm	M7	11	22 +0.2	24.5	1.2	16 Nm	36 Bar
50-SW1-073	68-73 mm	M8	13	24 +0.4	26.5	1.5	25 Nm	28 Bar
50-SW1-079	74-79 mm	M8	13	24 +0.4	26.5	1.5	25 Nm	28 Bar
50-SW1-085	80-85 mm	M8	13	24 +0.4	26.5	1.5	25 Nm	28 Bar
50-SW1-091	86-91 mm	M8	13	24 +0.4	26.5	1.5	25 Nm	20 Bar
50-SW1-097	92-97 mm	M8	13	24 +0.4	26.5	1.5	25 Nm	20 Bar
50-SW1-103	98-103 mm	M8	13	24 +0.4	26.5	1.5	25 Nm	20 Bar
50-SW1-112	104-112 mm	M8	13	24 +0.4	26.5	1.5	25 Nm	12 Bar
50-SW1-121	113-121 mm	M8	13	24 +0.4	26.5	1.5	25 Nm	12 Bar
50-SW1-130	122-130 mm	M8	13	24 +0.4	26.5	1.5	25 Nm	12 Bar
50-SW1-139	131-139 mm	M10	17	26 +0.5	29.0	1.7	50 Nm	9 Bar
50-SW1-148	140-148 mm	M10	17	26 +0.5	29.0	1.7	50 Nm	9 Bar
50-SW1-161	149-161 mm	M10	17	26 +0.5	29.0	1.7	50 Nm	9 Bar
50-SW1-174	162-174 mm	M10	17	26 +0.5	29.0	1.7	50 Nm	6 Bar
50-SW1-187	175-187 mm	M10	17	26 +0.5	29.0	1.7	50 Nm	6 Bar
50-SW1-200	188-200 mm	M10	17	26 +0.5	29.0	1.7	50 Nm	6 Bar
50-SW1-213	201-213 mm	M10	17	26 +0.5	29.0	1.7	50 Nm	3 Bar
50-SW1-226	214-226 mm	M10	17	26 +0.5	29.0	1.7	50 Nm	3 Bar
50-SW1-239	227-239 mm	M10	17	26 +0.5	29.0	1.7	50 Nm	3 Bar
50-SW1-252	240-252 mm	M10	17	26 +0.5	29.0	1.7	50 Nm	3 Bar

W1 Materials

T-Bolt:

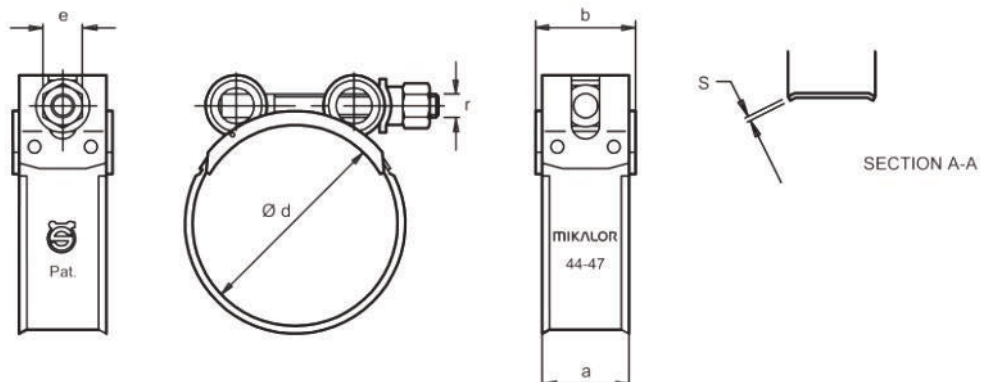
8.8 grade steel Yellow zinc plated

Band and Bridge:

Mild steel. Yellow zinc plated.

Washer and Trunions:

Mild steel. Yellow zinc plated



Supra Clamps (Category 50)



W2



**W2 Stainless Band.
Plated Steel Bolt**

The Supra range is the natural evolution of the Super W1 Clamp. Due to its revolutionary swivelling bridge, Supra W2 can be mounted in the most awkward applications without having to remove the hose. It can be opened up and fastened again when in place without dislodging any other parts of the clamp, making assembly much easier.

Thanks to the bevelled edges, the hose is protected from damage. The Supra W2 clamp complies fully with the RoH's directive EU 20032/95/EC dated 1st July 2006.

The high-strength bolt, designed and manufactured by Mikalor specifically for this clamp, together with the captive nut and spacer system allow you to clamp the most demanding of hose assemblies.

This is the clamp of choice for professionals in the industrial hose, automotive and agricultural machinery sectors as well as in all industrial applications where an outstanding and above all reliable heavy-duty clamp is required.

The maximum application pressure can vary depending on the type of hose used and the geometry of the coupling.

Code	Range	r	e	a	b	Max Torque	Max Pressure
50-SW2-019	17-19 mm	M6	8	18 +0.2	19.8	10 Nm	45 Bar
50-SW2-021	19-21 mm	M6	8	18 +0.2	19.8	10 Nm	45 Bar
50-SW2-023	21-23 mm	M6	8	18 +0.2	19.8	10 Nm	45 Bar
50-SW2-025	23-25 mm	M6	8	18 +0.2	19.8	10 Nm	45 Bar
50-SW2-027	25-27 mm	M6	8	18 +0.2	19.8	10 Nm	45 Bar
50-SW2-029	27-29 mm	M6	8	18 +0.2	19.8	10 Nm	45 Bar
50-SW2-031	29-31 mm	M7	10	20 +0.3	22.0	13 Nm	40 Bar
50-SW2-034	31-34 mm	M7	10	20 +0.3	22.0	13 Nm	40 Bar
50-SW2-037	34-37 mm	M7	10	20 +0.3	22.0	13 Nm	40 Bar
50-SW2-040	37-40 mm	M7	10	20 +0.3	22.0	13 Nm	40 Bar
50-SW2-043	40-43 mm	M7	10	20 +0.3	22.0	13 Nm	40 Bar
50-SW2-047	43-47 mm	M7	10	20 +0.3	22.0	16 Nm	36 Bar
50-SW2-051	47-51 mm	M7	10	20 +0.3	22.0	16 Nm	36 Bar
50-SW2-055	51-55 mm	M7	10	20 +0.3	22.0	16 Nm	36 Bar
50-SW2-059	55-59 mm	M7	10	20 +0.3	22.0	16 Nm	36 Bar
50-SW2-063	59-63 mm	M7	10	20 +0.3	22.0	16 Nm	36 Bar
50-SW2-068	63-68 mm	M7	10	20 +0.3	22.0	16 Nm	36 Bar
50-SW2-073	68-73 mm	M8	13	25 +0.4	27.5	30 Nm	28 Bar
50-SW2-079	73-79 mm	M8	13	25 +0.4	27.5	30 Nm	28 Bar
50-SW2-085	79-85 mm	M8	13	25 +0.4	27.5	30 Nm	28 Bar
50-SW2-091	85-91 mm	M8	13	25 +0.4	27.5	30 Nm	20 Bar
50-SW2-097	91-97 mm	M8	13	25 +0.4	27.5	30 Nm	20 Bar
50-SW2-104	97-104 mm	M8	13	25 +0.4	27.5	30 Nm	20 Bar
50-SW2-112	104-112 mm	M8	13	25 +0.4	27.5	30 Nm	12 Bar
50-SW2-121	112-121 mm	M8	13	25 +0.4	27.5	30 Nm	12 Bar
50-SW2-130	121-130 mm	M8	13	25 +0.4	27.5	30 Nm	12 Bar
50-SW2-140	130-140 mm	M10	15	28 +0.4	31.0	45 Nm	9 Bar
50-SW2-150	140-150 mm	M10	15	28 +0.4	31.0	45 Nm	9 Bar
50-SW2-162	150-162 mm	M10	15	28 +0.4	31.0	45 Nm	9 Bar
50-SW2-174	162-174 mm	M10	15	28 +0.4	31.0	45 Nm	6 Bar
50-SW2-187	174-187 mm	M10	15	28 +0.4	31.0	45 Nm	6 Bar
50-SW2-200	187-200 mm	M10	15	28 +0.4	31.0	45 Nm	6 Bar
50-SW2-213	200-213 mm	M10	15	28 +0.4	31.0	45 Nm	3 Bar
50-SW2-226	213-226 mm	M10	15	28 +0.4	31.0	45 Nm	3 Bar
50-SW2-239	226-239 mm	M10	15	28 +0.4	31.0	45 Nm	3 Bar
50-SW2-252	239-252 mm	M10	15	28 +0.4	31.0	45 Nm	3 Bar
50-SW2-265	252-265 mm	M10	15	28 +0.4	31.0	45 Nm	3 Bar
50-SW2-278	265-278 mm	M10	15	28 +0.4	31.0	45 Nm	3 Bar
50-SW2-291	278-291 mm	M10	15	28 +0.4	31.0	45 Nm	3 Bar
50-SW2-304	291-304 mm	M10	15	28 +0.4	31.0	45 Nm	3 Bar
50-SW2-317	304-317 mm	M10	15	28 +0.4	31.0	45 Nm	3 Bar
50-SW2-330	317-330 mm	M10	15	28 +0.4	31.0	45 Nm	3 Bar
50-SW2-343	330-343 mm	M10	15	28 +0.4	31.0	45 Nm	3 Bar
50-SW2-356	343-356 mm	M10	15	28 +0.4	31.0	45 Nm	3 Bar
50-SW2-369	356-369 mm	M10	15	28 +0.4	31.0	45 Nm	3 Bar
50-SW2-382	369-382 mm	M10	15	28 +0.4	31.0	45 Nm	3 Bar

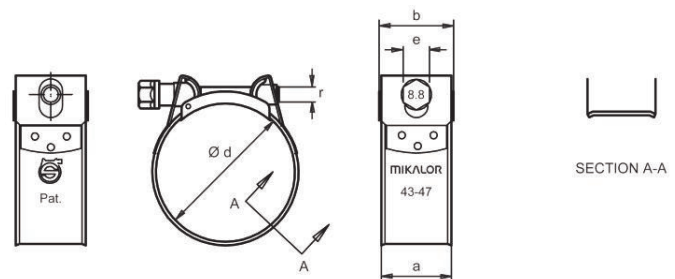
W2 Materials

Bolt:

Qst 36-3 Mild steel
(DIN 1.0213)
Silver-white Cr3 Zinc-Plated

Band and Bridge:

X6Cr17 Stainless steel
(DIN 1.4016) (AISI-430)



Supra Clamps (Category 50)



W4



The Supra range is the natural evolution of the Super W1 Clamp. Due to its revolutionary swivelling bridge, Supra W4 can be mounted in the most awkward applications without having to remove the hose. It can be opened up and fastened again when in place without dislodging any other parts of the clamp, making assembly much easier. Thanks to the bevelled edges, the hose is protected from damage.

The Supra W4 clamp complies fully with the RoH's directive EU 20032/95/EC dated 1st July 2006.

The stainless steel bolt together with the captive nut and spacer system allow you to clamp the most demanding of hose assemblies.

Supra W4 is a full stainless steel clamp, destined for demanding applications where high corrosion resistance is vital.

This top of the range heavy-duty clamp is ideal for marine applications and the foodstuffs industry, as well as for countless industrial applications where AISI-304 stainless steel is specified.

The maximum application pressure can vary depending on the type of hose used and the geometry of the coupling.

Code	Range	r	e	a	b	Max Torque	Max Pressure
50-SW4-019	17-19 mm	M6	8	18 +0.2	19.8	10 Nm	40 Bar
50-SW4-021	19-21 mm	M6	8	18 +0.2	19.8	10 Nm	40 Bar
50-SW4-023	21-23 mm	M6	8	18 +0.2	19.8	10 Nm	40 Bar
50-SW4-025	23-25 mm	M6	8	18 +0.2	19.8	10 Nm	40 Bar
50-SW4-027	25-27 mm	M6	8	18 +0.2	19.8	10 Nm	40 Bar
50-SW4-029	27-29 mm	M6	8	18 +0.2	19.8	10 Nm	40 Bar
50-SW4-031	29-31 mm	M7	11	20 +0.3	22.0	12 Nm	35 Bar
50-SW4-034	31-34 mm	M7	11	20 +0.3	22.0	12 Nm	35 Bar
50-SW4-037	34-37 mm	M7	11	20 +0.3	22.0	12 Nm	35 Bar
50-SW4-040	37-40 mm	M7	11	20 +0.3	22.0	12 Nm	35 Bar
50-SW4-043	40-43 mm	M7	11	20 +0.3	22.0	12 Nm	35 Bar
50-SW4-047	43-47 mm	M7	11	20 +0.3	22.0	12 Nm	35 Bar
50-SW4-051	47-51 mm	M7	11	20 +0.3	22.0	16 Nm	30 Bar
50-SW4-055	51-55 mm	M7	11	20 +0.3	22.0	16 Nm	30 Bar
50-SW4-059	55-59 mm	M7	11	20 +0.3	22.0	16 Nm	30 Bar
50-SW4-063	59-63 mm	M7	11	20 +0.3	22.0	16 Nm	30 Bar
50-SW4-068	63-68 mm	M7	11	20 +0.3	22.0	16 Nm	30 Bar
50-SW4-073	68-73 mm	M8	13	25 +0.4	27.5	30 Nm	20 Bar
50-SW4-079	73-79 mm	M8	13	25 +0.4	27.5	30 Nm	20 Bar
50-SW4-085	79-85 mm	M8	13	25 +0.4	27.5	30 Nm	20 Bar
50-SW4-091	85-91 mm	M8	13	25 +0.4	27.5	30 Nm	15 Bar
50-SW4-097	91-97 mm	M8	13	25 +0.4	27.5	30 Nm	15 Bar
50-SW4-104	97-104 mm	M8	13	25 +0.4	27.5	30 Nm	15 Bar
50-SW4-112	104-112 mm	M8	13	25 +0.4	27.5	30 Nm	10 Bar
50-SW4-121	112-121 mm	M8	13	25 +0.4	27.5	30 Nm	10 Bar
50-SW4-130	121-130 mm	M8	13	25 +0.4	27.5	30 Nm	10 Bar
50-SW4-140	130-140 mm	M10	15	28 +0.4	31.0	45 Nm	6 Bar
50-SW4-150	140-150 mm	M10	15	28 +0.4	31.0	45 Nm	6 Bar
50-SW4-162	150-162 mm	M10	15	28 +0.4	31.0	45 Nm	6 Bar
50-SW4-174	162-174 mm	M10	15	28 +0.4	31.0	45 Nm	3 Bar
50-SW4-187	174-187 mm	M10	15	28 +0.4	31.0	45 Nm	3 Bar
50-SW4-200	187-200 mm	M10	15	28 +0.4	31.0	45 Nm	3 Bar
50-SW4-213	200-213 mm	M10	15	28 +0.4	31.0	45 Nm	3 Bar
50-SW4-226	213-226 mm	M10	15	28 +0.4	31.0	45 Nm	3 Bar
50-SW4-239	226-239 mm	M10	15	28 +0.4	31.0	45 Nm	3 Bar
50-SW4-252	239-252 mm	M10	15	28 +0.4	31.0	45 Nm	3 Bar

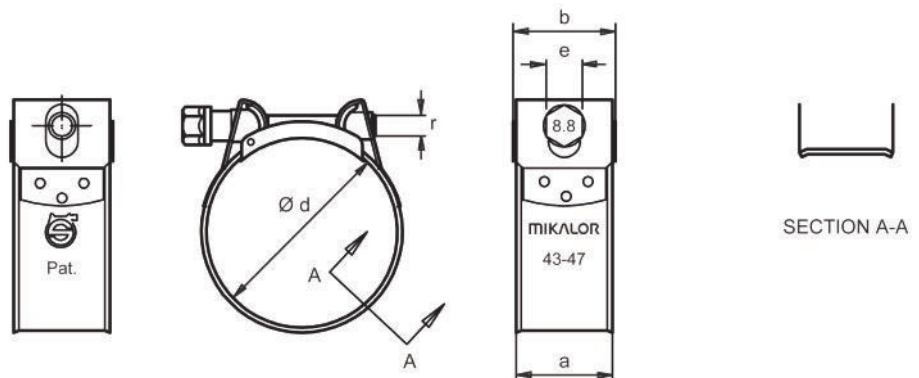
W4 Materials

Bolt:

AISI 302 Cu
Stainless Steel

Band and Bridge:

X5CrNi 1810 Stainless steel
(DIN 1.4301) (AISI-304) (A2)

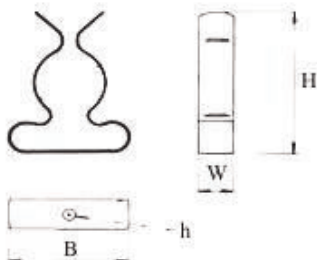


Terry Tool Clips (Category 50)

Closed Type Tool Clip



Terry Tool Clips are produced in high quality zinc plated spring steel. Frequently used in the Hardware and DIY market sectors



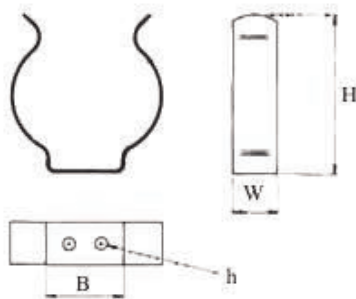
Code	Range	H (mm)	W (mm)	B (mm)	h (mm)
50-TTC06	6-7 mm	15.3	6.35	12.9	2.4
50-TTC10	10-12 mm	20.0	6.35	15.5	2.4
50-TTC13	13-14 mm	26.4	7.94	20.1	3.2
50-TTC16	16-19 mm	32.2	7.94	22.6	3.2
50-TTC19	19-21 mm	36.4	7.94	25.3	3.2
50-TTC25	25-27 mm	40.3	9.52	28.8	3.2
50-TTC28	28-31 mm	48.7	9.52	34.1	3.6
50-TTC32	32-34 mm	59.3	11.11	42.8	3.6
50-TTC38	38-40 mm	67.0	12.70	49.5	4.0*
50-TTC51	51-54 mm	80.2	12.70	53.0	4.0*

* Larger sizes have 2 mount holes

Open Type Tool Clip



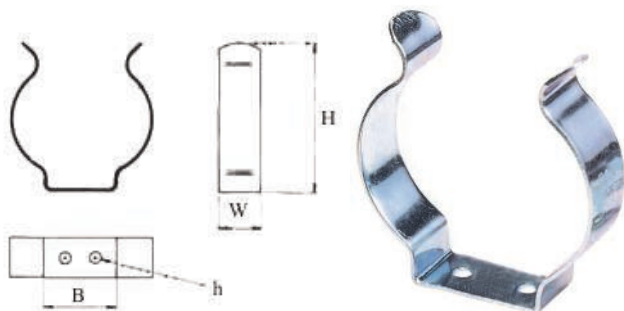
The Open type tool clip allows an easier entry or withdrawal of the item being secured.



Code	Range	H (mm)	W (mm)	B (mm)	h (mm)
50-TTO06	6-7 mm	10.5	6.35	3.8	2.4
50-TTO10	10-12 mm	13.3	6.35	4.3	2.4
50-TTO13	13-14 mm	16.1	7.94	5.0	2.4
50-TTO16	16-19 mm	20.5	7.94	6.5	2.4
50-TTO19	19-21 mm	26.6	9.52	9.0	3.2
50-TTO25	25-27 mm	30.0	9.52	10.2	3.2
50-TTO28	28-31 mm	33.4	11.11	12.0	3.6
50-TTO32	32-34 mm	39.0	11.11	12.0	3.2
50-TTO38	38-40 mm	48.0	12.70	13.0	3.2
50-TTO51	51-54 mm	61.3	12.70	19.5	3.6*

* Larger sizes have 2 mount holes

Open Type Super Clip



Code	Range	H (mm)	W (mm)	B (mm)	h (mm)
50-TSC044	44-46 mm	53.4	12.7	25.5	4.00
50-TSC064	64-67 mm	75.5	19.1	35.5	4.90
50-TSC076	76-79 mm	87.5	19.1	47.0	4.75
50-TSC089	89-93 mm	101.6	22.2	48.0	4.75
50-TSC102	102-106 mm	117.5	25.4	57.2	4.75

The SUPER CLIP is a Heavy Duty Open style Tool Clip, designed for large object up to 106mm diameter. All Super Clips have 2 mount holes.



Other styles of clamps also available.
 Contact the sales office for further details.
 Phone (03) 9706 3133.
 Email sales@ifsvic.com.au



Brass Hose Ferrules (Category 50)



For use with general purpose barbed hose tails.

The correct I.D. should not exceed 0.8mm (1/32")
above the hose O.D. With the tail inserted.

Other sizes and materials also available.
Contact the sales office for any other requirements.



I.F.S. Code	Industrial Code	ID		Length		Hole		Thickness	
		(in)	(mm)	(in)	(mm)	(in)	(mm)	(in)	(mm)
50-BFL0380	622	.380	9.65	.500	12.70	.265	6.73	.020	0.51
50-BFL0410	620	.410	10.41	.500	12.70	.265	6.73	.020	0.51
50-BFL0450	769	.450	11.43	.562	14.27	.343	8.71	.020	0.51
50-BFM0478	4750	.478	12.14	.687	17.45	.328	8.33	.025	0.64
50-BFL0500	624	.500	12.70	.500	12.70	.343	8.71	.020	0.51
50-BFM0500	7322	.500	12.70	1.000	25.40	.343	8.71	.025	0.64
50-BFL0525	625	.525	13.34	.470	11.94	.360	9.14	.020	0.51
50-BFM0525	7323	.525	13.34	1.000	25.40	.375	9.53	.025	0.64
50-BFL0550		.550	13.97	.484	12.29	.375	9.53	.020	0.51
50-BFM0562	7325	.560	14.22	1.000	25.40	.437	11.10	.025	0.64
50-BFL0575	KK	.575	14.61	.484	12.29	.468	11.89	.020	0.51
50-BFM0593	7326	.593	15.06	1.000	25.40	.437	11.10	.025	0.64
50-BFL0600	JJ	.600	15.24	.500	12.70	.500	12.70	.020	0.51
50-BFL0625	II	.625	15.88	.500	12.70	.500	12.70	.020	0.51
50-BFM0625	7327	.625	15.88	1.000	25.40	.437	11.10	.025	0.64
50-BFL0650	HH	.650	16.51	.500	12.70	.500	12.70	.020	0.51
50-BFM0656	7328	.656	16.66	1.000	25.40	.437	11.10	.025	0.64
50-BFM0675	GG	.675	17.15	.500	12.70	.500	12.70	.025	0.64
50-BFM0687	7329	.690	17.53	1.000	25.40	.500	12.70	.025	0.64
50-BFM0718B	7330B	.718	18.24	1.000	25.40	.500	12.70	.025	0.64
50-BFM0718	7330	.718	18.24	1.000	25.40	.625	15.88	.025	0.64
50-BFL0725	EE	.725	18.42	.530	13.46	.500	12.70	.020	0.51
50-BFL0750	DD	.750	19.05	.531	13.49	.500	12.70	.020	0.51
50-BFM0750B	7331B	.750	19.05	1.000	25.40	.500	12.70	.025	0.64
50-BFM0750	7331	.750	19.05	1.000	25.40	.625	15.88	.025	0.64
50-BFM0781B	7332B	.781	19.84	1.000	25.40	.500	12.70	.025	0.64
50-BFM0781	7332	.781	19.84	1.000	25.40	.625	15.88	.025	0.64
50-BFM0850		.850	21.59	.968	24.59	.593	15.06	.025	0.64
50-BFM0875	7244A	.875	22.23	.843	21.41	.687	17.45	.025	0.64
50-BFM0900	5029A	.900	22.86	.875	22.23	.687	17.45	.025	0.64
50-BFM0975	5028A	.975	24.77	.843	21.41	.687	17.45	.025	0.64
50-BFM1025	7114A	1.025	26.04	.843	21.41	.687	17.45	.025	0.64
50-BFM1050	7145A	1.050	26.67	.843	21.41	.687	17.45	.025	0.64
50-BFM1100	5027A	1.100	27.94	.843	21.41	.812	20.62	.025	0.64
50-BFM1175	7088A	1.175	29.85	.875	22.23	.875	22.23	.025	0.64
50-BFM1225		1.225	31.12	.968	24.59	.875	22.23	.025	0.64
50-BFM1275		1.275	32.39	.968	24.59	.875	22.23	.025	0.64
50-BFM1380		1.380	35.05	.843	21.41	1.047	26.59	.025	0.64
50-BFM1500	1500	1.500	38.10	.875	22.23	1.125	28.58	.025	0.64
50-BFM1550	1550	1.550	39.37	.812	20.62	1.125	28.58	.025	0.64