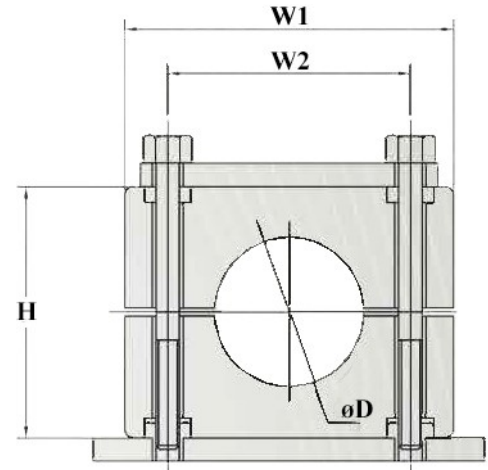


## NEW PRODUCT - PIPE CLAMPS

### Standard Series Pipe Clamps

- Polypropylene Shells
- Steel or Stainless Steel Plates and Bolts



Size $\phi D$		Pipe	Steel Plates and Bolts Code	Stainless Plates and Bolts Code	Dimensions		
Metric	Imperial				H (mm)	W1 (mm)	W2 (mm)
6mm			52-S06	52-SSS06	27	37	20
	1/4		52-S06.4	52-SSS06.4			
8mm			52-S08	52-SSS08			
	3/8		52-S09.5	52-SSS09.5			
10mm			52-S10	52-SSS10			
12mm			52-S12	52-SSS12			
	1/2		52-S12.7	52-SSS12.7	33	42	26
14mm			52-S14	52-SSS14			
15mm			52-S15	52-SSS15			
16mm			52-S16	52-SSS16			
	5/8		52-S17.2	52-SSS17.2			
18mm		3/8	52-S18	52-SSS18			
19mm			52-S19	52-SSS19	35	50	33
	3/4		52-S21.3	52-SSS21.3			
22mm		1/2	52-S22	52-SSS22			
25mm			52-S25	52-SSS25			
	1"		52-S26.9	52-SSS26.9			
28mm		3/4	52-S28	52-SSS28			
30mm			52-S30	52-SSS30	42	58	40
32mm			52-S32	52-SSS32			
	1.1/4		52-S33.7	52-SSS33.7			
38mm		1"	52-S38	52-SSS38			
42mm		1.1/2	52-S42	52-SSS42			
	1.1/2		52-S48.3				
	2"		52-S50.8		58	69	52
			52-S60.3				
	2"		52-S60.3		66	86	66
		2"	52-S60.3		92	121	94

### Elongated Weld Plates

- Used for applications where bolting the plate down is preferable to welding.
- 316 Stainless Steel Material
- Suit Stand Series Clamps

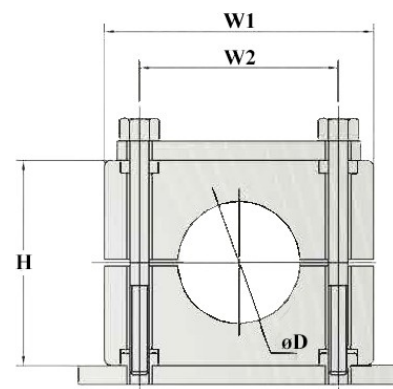


Code	Size Range
52-EWPSS12	6-12mm
52-EWPSS18	12.7-18mm
52-EWPSS25	19-25mm
52-EWPSS30	26.9-30mm
52-EWPSS42	32-42mm

## PIPE CLAMPS. (Category 52)

### Heavy Series Pipe Clamps

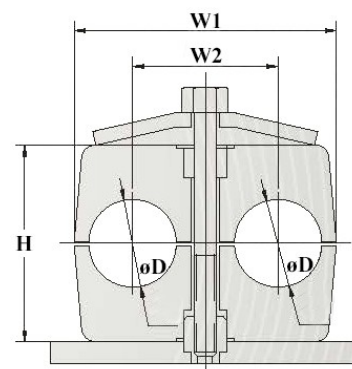
- Polypropylene Shells
- Steel Plates and Bolts



Size $\phi D$		Pipe	Steel Plates and Bolts Code	Dimensions		
Metric	Imperial			H (mm)	W1 (mm)	W2 (mm)
6mm			52-H06	32	55	33
8mm	5/16		52-H08			
10mm			52-H10			
	1/2		52-H12.7			
16mm	5/8		52-H16	48	70	45
		3/8	52-H17.2			
19mm	3/4		52-H19			
		1/2	52-H21.3			
25mm	1"		52-H25	60	84	60
		3/4	52-H26.9			
30mm			52-H30	90	115	90
32mm	1.1/4		52-H32			
		1"	52-H33.7			
38mm	1.1/2		52-H38			
42mm		1.1/4	52-H42	120	152	122
		1.1/2	52-H48.3			
	2"		52-H50.8			
		2"	52-H60.3			
		3"	52-H76.1	120	152	122
		3"	52-H88.9			

### Twin Series Pipe Clamps

- Polypropylene Shells
- Steel or Stainless Steel Plates and Bolts



Size $\phi D$		Pipe	Steel Plates and Bolts	Stainless Plates and Bolts	Dimensions		
Metric	Imperial		Code	Code	H (mm)	W1 (mm)	W2 (mm)
6mm			52-T06	52-TSS06	26.5	36	20
	1/4		52-T06.4	52-TSS06.4			
8mm	5/16		52-T08	52-TSS08			
	3/8		52-T09.5	52-TSS09.5			
10mm			52-T10	52-TSS10	26.5	53	29
12mm			52-T12	52-TSS12			
	1/2		52-T12.7	52-TSS12.7			
14mm	9/16		52-T14	52-TSS14			
15mm			52-T15	52-TSS15	36.5	67	36
16mm	5/8		52-T16	52-TSS16			
		3/8	52-T17.2	52-TSS17.2			
18mm			52-T18	52-TSS18			
19mm	3/4		52-T19	52-TSS19	38	80	45
		1/2	52-T21.3	52-TSS21.3			
22mm	7/8		52-T22	52-TSS22	52	106	56
25mm	1"		52-T25	52-TSS25			
		3/4	52-T26.9	52-TSS26.9	38	80	45
30mm			52-T30	52-TSS30			
32mm	1.1/4		52-T32	52-TSS32	52	106	56
		1"	52-T33.7	52-TSS33.7			
38mm	1.1/2		52-T38	52-TSS38	52	106	56